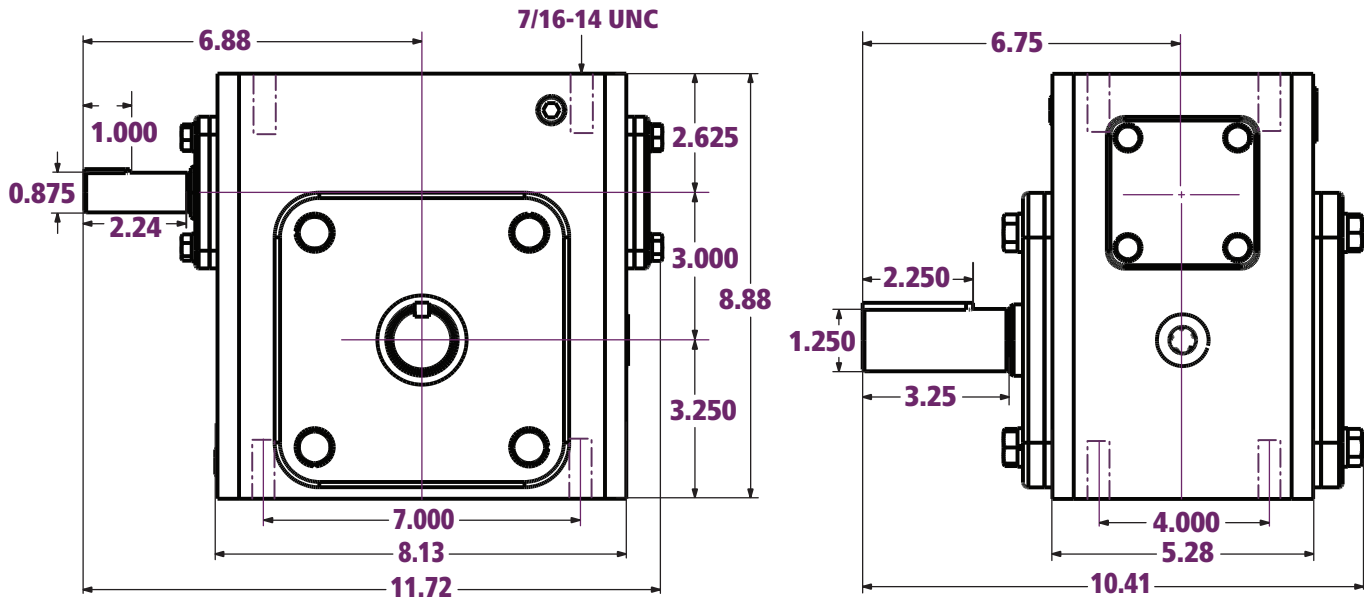




# XS300 Dimensions

All dimensions listed in inches



## Output and Input Shafts (in)

Output Keyway (in)	Output Shaft Dia. (in)	Input Keyway (in)	Input Shaft Dia. (in)
1/4 x 1/8	1.250	3/16 x 3/32	0.875

## Specifications

Center Distance (in)	Weight (lbs)	Est. Oil Fill Amount* (oz)
3.000	64.9 [66.0 <sup>†</sup> ]	51.7

\*For Position 1.

<sup>†</sup>Approximate weight for LR Handling.

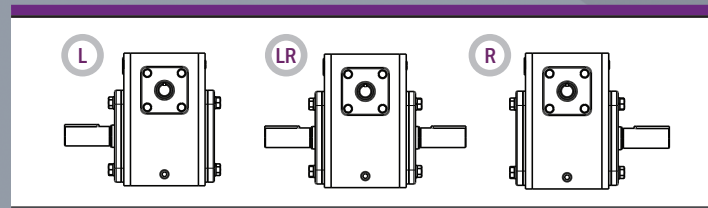
## Ratios

Nominal Ratios	Exact Ratios
5:1	4.8:1
10:1	10.3:1
15:1	15.5:1
20:1	20.5:1
30:1	30.0:1
40:1	40.0:1
50:1	50.0:1
60:1	60.0:1

## Efficiency

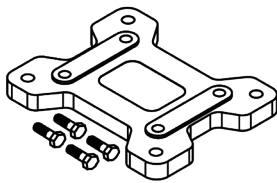
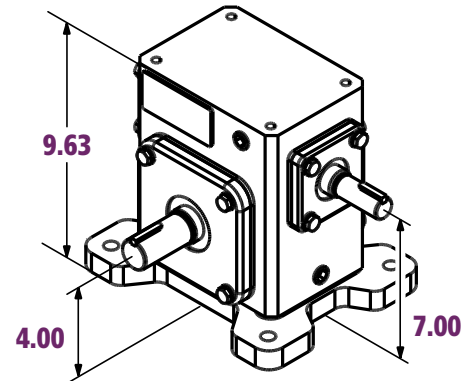
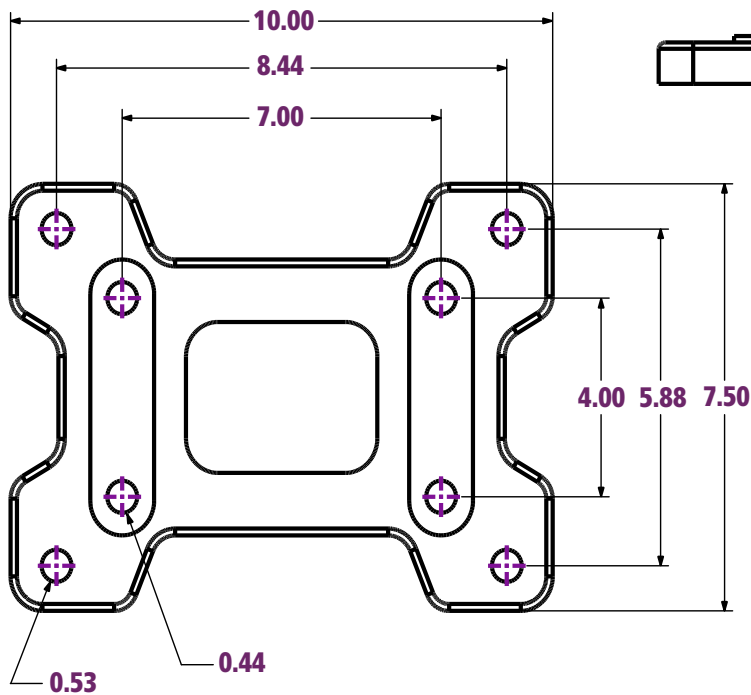
Nominal Ratios	Efficiency (%)
5:1	≈ 93
10:1	≈ 87
15:1	≈ 84
20:1	≈ 81
30:1	≈ 73
40:1	≈ 69
50:1	≈ 64
60:1	≈ 63

## Handling Types



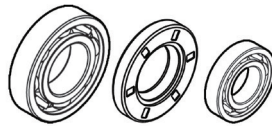
# XS300 Accessories

## and X300 Base Kit Dimensions



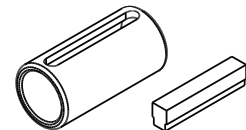
**Foot Mounted Base Kit**

XBK300



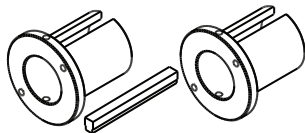
**Component Repair Kit**

XSRK300



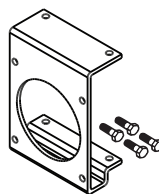
**Input Quill Adapter Option**

Not Applicable



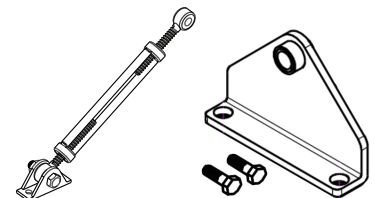
**Output Bushing Kits\***

Not Applicable



**Output Bracket Kit\***

XOB300



**Torque Arm Kit\***

XTA300

\*Made to order.